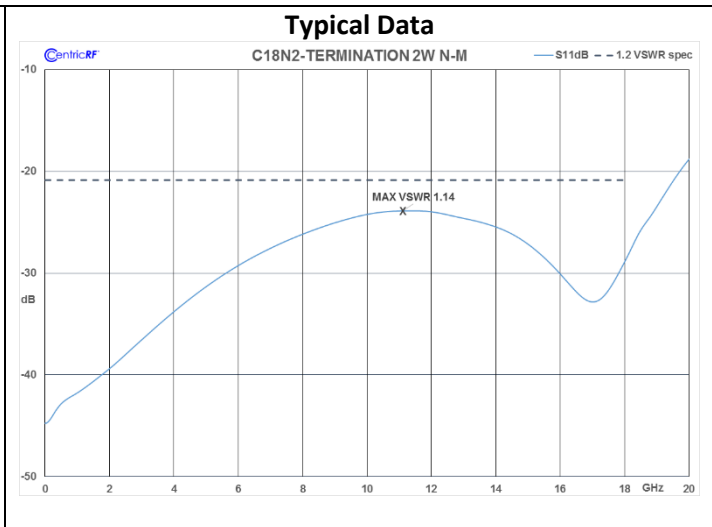
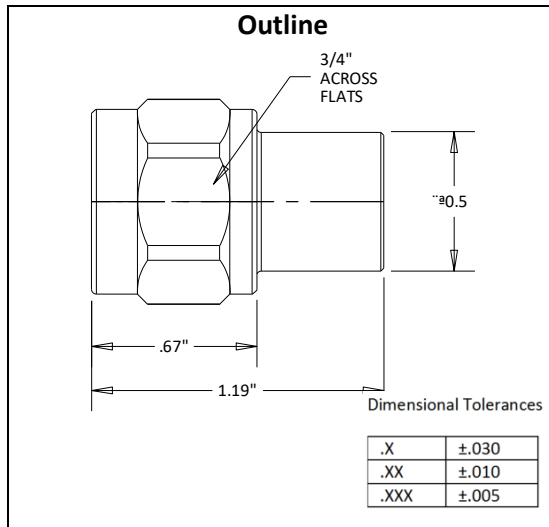




## C18N2 N/Male 2 Watt Termination 18 GHz

Rev 000

<b>Electrical</b>	
Frequency	0-18 GHz
VSWR	1.20
Impedance	50 Ohms
Power Handling	2 Watts
<b>Mechanical</b>	
N Interface per	MIL-STD-348B
Operating Temperature	-40°C to +125°C
<b>Materials</b>	
Body	Passivated Stainless Steel
Contact	Brass
Contact Plating	Au per MIL-G-45204
Dielectric	PTFE
ROHS Compliant	



1130 Junction Dr. Suite 100 Allen, TX 75013 800-399-6891 [www.CentricRF.com](http://www.CentricRF.com)