



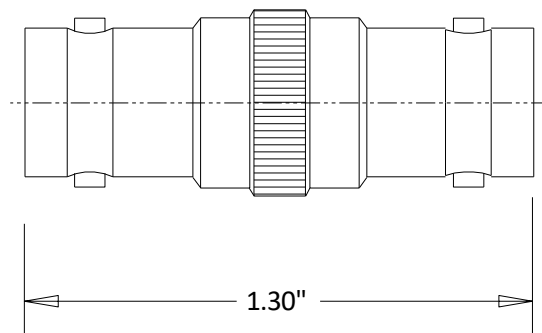
C2108 BNC/Female to BNC/Female 75 Ohm Adapter 4 GHZ

Rev 000

Electrical	
Frequency	0-4 GHZ
VSWR	1.20 Max
Impedance	75 Ohms
Mechanical	
BNC Interface per	MIL-STD-348B
Operating Temperature	-55°C to +165°C
Materials	
Body	Nickel Plated Brass
Contacts	BeCu
Contact Plating	Au 30μ" Min
Dielectric	PTFE
ROHS Compliant	



Outline



Dimensional Tolerances

.X	±.030
.XX	±.010
.XXX	±.005