



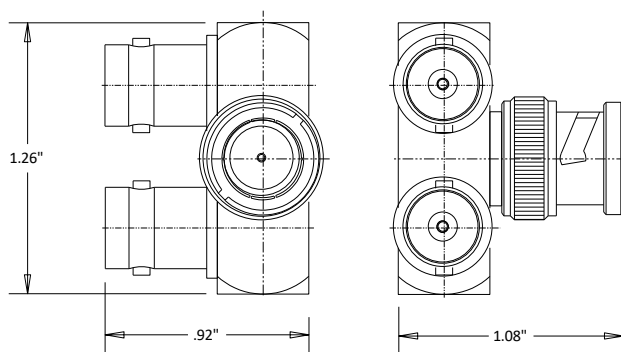
## C2188 BNC/Male-Female-Female Right Angle Post Adapter 1 GHZ

Rev 000

<b>Electrical</b>	
Frequency	0-1 GHZ
VSWR	2.5 Max(All Ports Terminated)
Impedance	50 Ohms
<b>Mechanical</b>	
BNC Interface per	MIL-STD-348B
Operating Temperature	-55°C to +125°C
<b>Materials</b>	
Body	Nickel Plated Brass
Contacts	BeCu
Contact Plating	Au 30μ inches
Dielectric	PTFE
ROHS Compliant	



### Outline



#### Dimensional Tolerances

.X	±.030
.XX	±.010
.XXX	±.005

### Typical Data

