



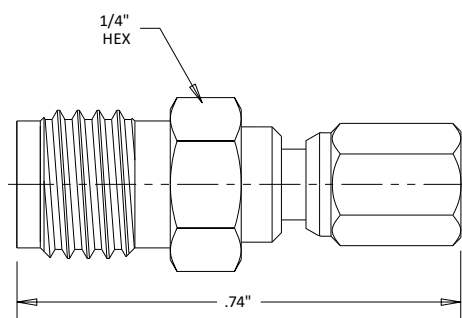
C2334 SMA/Female to SSMC/Plug Adapter 12 GHz

Rev 000

Electrical	
Frequency	0-12 GHz
VSWR	1.20
Impedance	50 Ohms
Mechanical	
SMA & SSMC Interface per	MIL-STD-348B
Operating Temperature	-65°C to +155°C
Materials	
Body	Nickel Plated Brass
Contacts	BeCu
Contact Plating	Au 30μ" Min
Dielectric	PTFE
ROHS Compliant	



Outline



Dimensional Tolerances

.X	±.030
.XX	±.010
.XXX	±.005

Typical Data

