



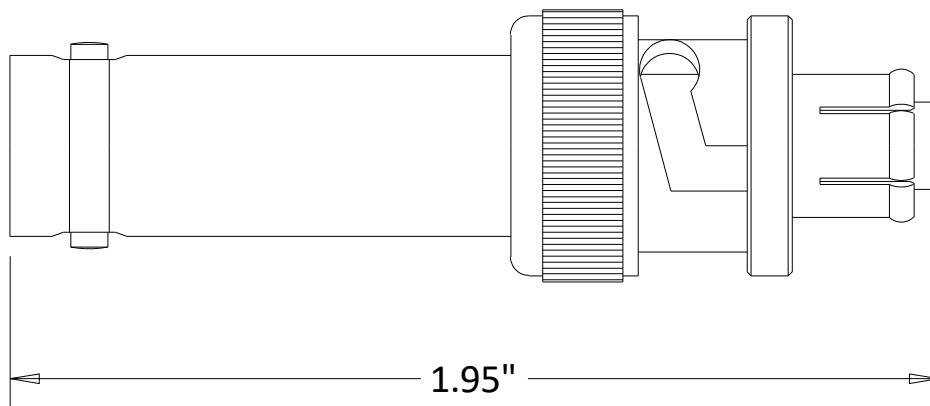
C2496 MHV/Jack to SHV/Plug Adapter 0.3 GHZ

Rev 000

Electrical	
Frequency	DC-0.3 GHZ
VSWR	1.20
Impedance	50 Ohms
Mechanical	
MHV & SHV Interface per	MIL-STD-348B
Materials	
Body	Tri Alloy Plated Brass
Contact	BeCu
Contact Plating	SucoPRO
Dielectric	PTFE
ROHS Compliant	



Outline



Dimensional Tolerances

.X	±.030
.XX	±.010
.XXX	±.005