



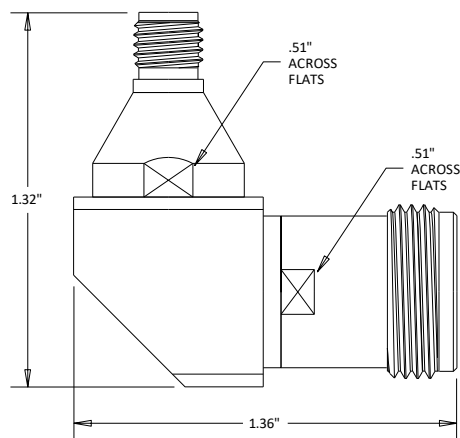
## C3511 N/Female to SMA/Female Right Angle Adapter 18 GHZ

Rev 000

<b>Electrical</b>	
Frequency	0-18 GHZ
VSWR	1.20
Impedance	50 Ohms
<b>Mechanical</b>	
N & SMA Interface per	MIL-STD-348B
<b>Materials</b>	
Body	Passivated Stainless Steel
Contacts	BeCu
Contact Plating	SucoPRO
Dielectric	PTFE
ROHS Compliant	



### Outline



#### Dimensional Tolerances

.X	±.030
.XX	±.010
.XXX	±.005

### Typical Data

