



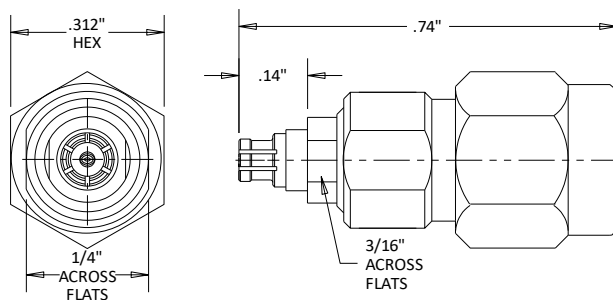
## C4365 SMA/Male to MiniSMP/Female Adapter 18 GHZ

Rev 000

<b>Electrical</b>	
Frequency	0-18 GHZ
VSWR	1.15 Max
Impedance	50 Ohms
<b>Mechanical</b>	
SMA & MiniSMP Interface per	MIL-STD-348
<b>Materials</b>	
Body(SMA)	Passivated Stainless Steel
Body(MiniSMP)	BeCu
Contact Plating	Au 50 $\mu$ " Min
Dielectric	PTFE
ROHS Compliant	



### Outline



#### Dimensional Tolerances

.X	$\pm 0.030$
.XX	$\pm 0.010$
.XXX	$\pm 0.005$

### Typical Data

