



## C4834 2.92/Female Coaxial Short 43.5 GHz

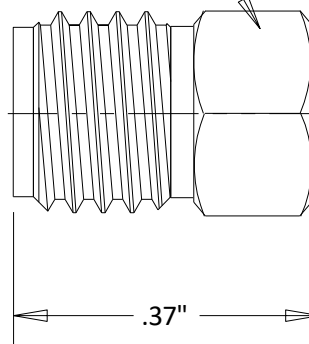
Rev 000

<b>Electrical</b>	
Frequency	0-43.5 GHz
<b>Mechanical</b>	
2.92 Interface per	MIL-STD-348B
Operating Temperature	-55°C to +100°C
<b>Materials</b>	
Body	Passivated Stainless Steel
Contacts	BeCu
Contact Plating	Au 50μ" Min
Dielectric	PTFE
ROHS Compliant	



### Outline

7/32"  
HEX



#### Dimensional Tolerances

.X	±.030
.XX	±.010
.XXX	±.005