



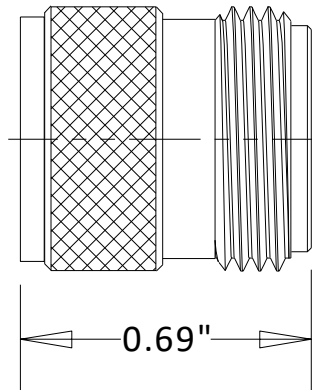
## C4876 N/Female Short Circuit

Rev 000

<b>Electrical</b>	
Frequency	0-18 GHZ
<b>Mechanical</b>	
Operating Temperature	-55°C to +125°C
<b>Materials</b>	
Body	Nickel Plated Brass
Contacts	BeCu
Contact Plating	Au per MIL-G-45204
ROHS Compliant	



### Outline



#### Dimensional Tolerances

.X	±.030
.XX	±.010
.XXX	±.005