



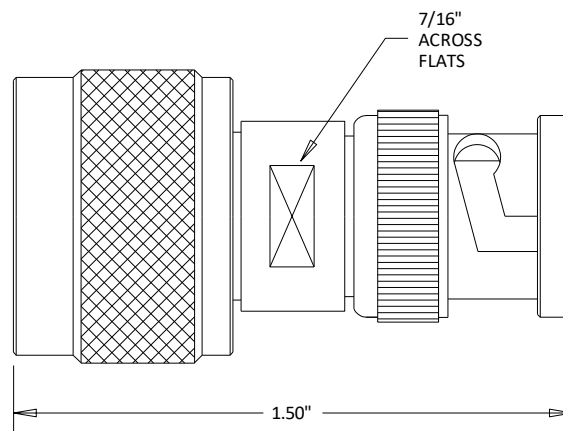
C5057 BNC/Male to N/Male Adapter 3 GHZ

Rev 000

Electrical	
Frequency	0-3 GHZ
VSWR	1.20 Max
Impedance	75 Ohms
Mechanical	
BNC & N Interface per	MIL-STD-348B
Operating Temperature	-40°C to +120°C
Materials	
Body	Tri-Alloy Plated Brass
Contacts	BeCu
Contact Plating	SucoPRO
Dielectric	PTFE
ROHS Compliant	



Outline



Dimensional Tolerances

.X	±.030
.XX	±.010
.XXX	±.005