



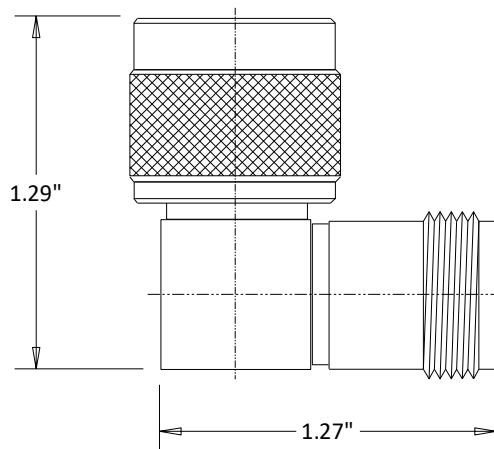
## C5536 N/Male to N/Female Right Angle Adapter 6 GHZ

Rev 000

<b>Electrical</b>	
Frequency	0-6 GHZ
VSWR	1.20 Max
Impedance	50 Ohms
<b>Mechanical</b>	
N Interface per	MIL-STD-348B
Operating Temperature	-55°C to +120°C
<b>Materials</b>	
Body N & BNC	Nickel Plated Brass
Contacts	BeCu
Contact Plating	Au Per MIL-G-45204
Dielectric	PTFE per ASTM-D-1710
ROHS Compliant	



### Outline



Dimensional Tolerances

.X	±.030
.XX	±.010
.XXX	±.005