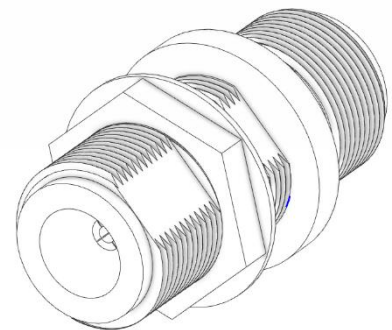




## C5603 N/Female to N/Female Hermetic Bulkhead Adapter 11 GHZ

Rev 002

<b>Electrical</b>	
Frequency	0-11 GHZ
VSWR	1.35
Impedance	50 Ohms
<b>Mechanical</b>	
N Interface per	MIL-STD-348B
Operating Temperature	-55°C to +100°C
<b>Materials</b>	
Body	Nickel Plated Brass
Contacts	BeCu per ASTM-B-196
Contact Plating	Silver
Dielectric	PTFE per ASTM-D-1710
ROHS Compliant	



Leak Rate :  $1 \times 10^{-7}$  CC/Sec

