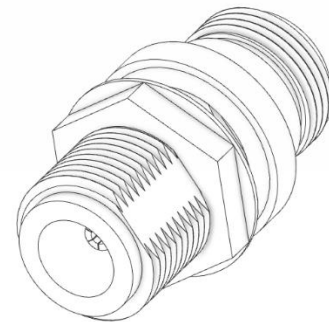




## C5607 N/Female to N/Female Bulkhead Adapter 11 GHZ

Rev 001

<b>Electrical</b>	
Frequency	0-11 GHZ
VSWR	1.20
Impedance	50 Ohms
<b>Mechanical</b>	
N Interface per	MIL-STD-348B
Operating Temperature	-40°C to +120°C
<b>Materials</b>	
Body	Tri-Alloy Plated Brass
Contacts	BeCu
Contact Plating	SucoPRO
Dielectric	PTFE
ROHS Compliant	



### IP67 Rated(Mated Condition)

