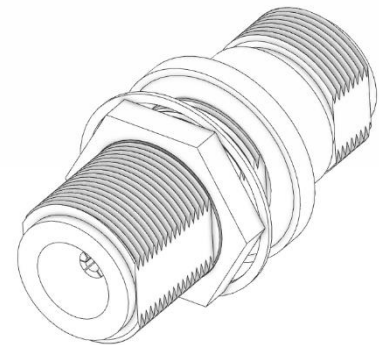




C5615 N/Female to N/Female Hermetic Bulkhead Adapter 18 GHZ

Rev 002

Electrical	
Frequency	0-18 GHZ
VSWR	1.30 Max
Impedance	50 Ohms
Mechanical	
N Interface per	MIL-STD-348B
Operating Temperature	-55°C to +125°C
Materials	
Body	Nickel Plated Brass
Contacts	BeCu
Contact Plating	Au 50μ" Min
Dielectric	PTFE
ROHS Compliant	



Leak Rate : 1×10^{-8} CC/Sec

