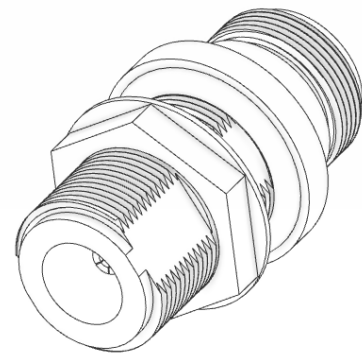




C5623 N/Female to N/Female Hermetic Bulkhead Adapter 18 GHZ

Rev 001

Electrical	
Frequency	0-18 GHZ
VSWR	1.15 Max
Impedance	50 Ohms
Mechanical	
N Interface per	MIL-STD-348B
Operating Temperature	-55°C to +100°C
Materials	
Body	Passivated Stainless Steel
Contacts	BeCu per ASTM-B-196
Contact Plating	Au Per MIL-G-45204
Dielectric	PTFE per ASTM-D-1710
ROHS Compliant	



Leak Rate : 1×10^{-6} CC/Sec

