



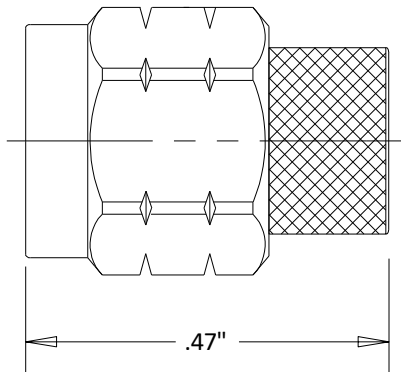
## C673 1.85/Male 2 Watt Termination 67 GHZ

Rev 000

<b>Electrical</b>	
Frequency	0-67 GHZ
VSWR	1.30 Max
Impedance	50 Ohms
Power Handling	2 Watt Average @ 25°C Derated Linearly to 0.5 Watts @ 125°C
<b>Mechanical</b>	
1.85 Interface per	IEEE P287
Operating Temperature	-55°C to +125°C
<b>Materials</b>	
Body	Passivated Stainless Steel
Contacts	Brass
Contact Plating	Au 50μ" Min
ROHS Compliant	



### Outline



Dimensional Tolerances

.X	±.030
.XX	±.010
.XXX	±.005

### Typical Data

