



C6N-XXB N/Male to N/Female 6 GHZ 2 Watt Attenuator

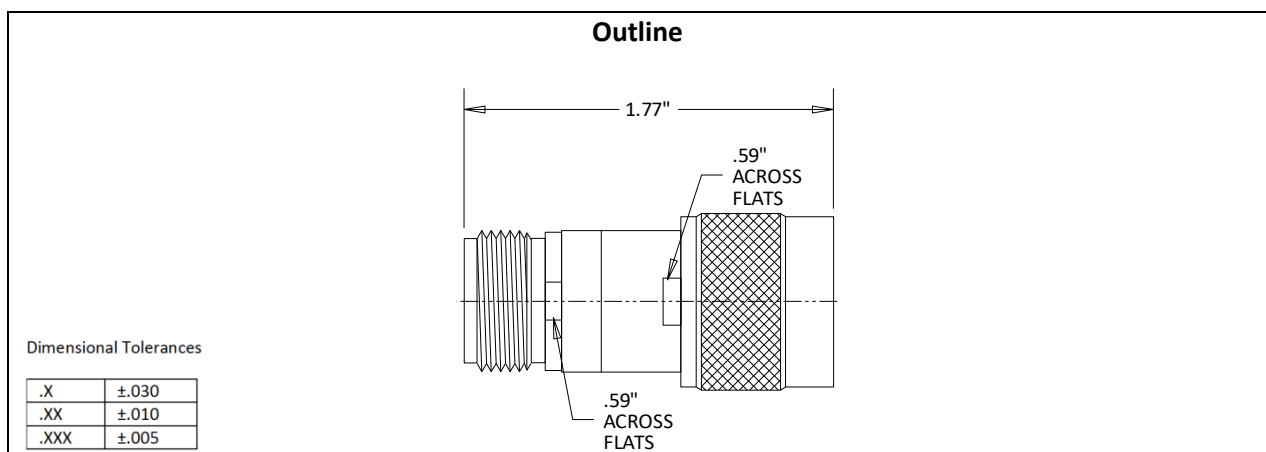
Rev 001

Electrical	
Frequency	0-6 GHZ
VSWR	1.25 Max
Impedance	50 Ohms
Mechanical	
N Interface per	MIL-STD-348B
Operating Temperature	-55°C to +125°C
Materials	
Body	Ternary Alloy Plated Brass
Contact	BeCu
Contact Plating	Au
Dielectric	PEI



Power Handling	
Average	2 Watts at 25°C, derated linearly to 0.02 watts at 125°C
Peak	250 Watts (5 µsec pulse width, 0.4% duty cycle)

Attenuation Accuracy (Max)	
1-6 dB	±0.3 dB
10-20 dB	±0.5 dB
30 dB	±0.9 dB



1130 Junction Dr. Suite 100 Allen, TX 75013 800-399-6891 www.CentricRF.com