



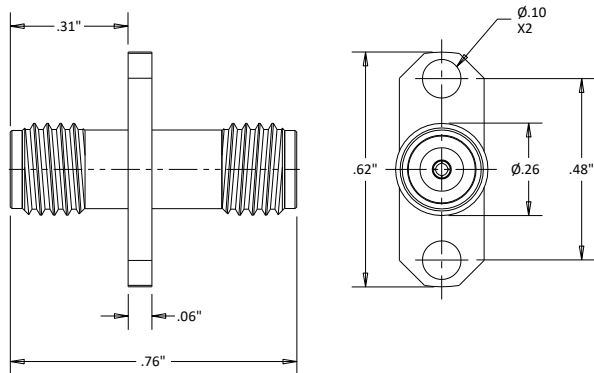
C7060 2.92/Female to 2.92/Female 2 Hole Flange Adapter 40 GHZ

Rev 000

Electrical	
Frequency	0-40 GHZ
VSWR	1.25 Max
Impedance	50 Ohms
Mechanical	
2.92 Interface per	MIL-STD-348B
Operating Temperature	-55°C to +100°C
Materials	
Connectors	Passivated Stainless Steel
Female Contacts	BeCu
Contact Plating	SucoPRO
ROHS Compliant	



Outline



Dimensional Tolerances

.X	±.030
.XX	±.010
.XXX	±.005

Typical Data

