



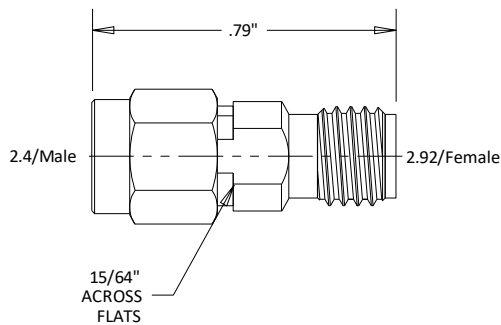
C7252 2.4/Male to 2.92/Female Adapter 40 GHZ

Rev 000

Electrical	
Frequency	0-40 GHZ
VSWR	1.25 Max
Impedance	50 Ohms
Mechanical	
2.4 Interface per	MIL-STD-348B
2.92 Interface per	IEEE P287
Operating Temperature	-40°C to +120°C
Materials	
Body	Passivated Stainless Steel
Contacts	BeCu
Contact Plating	SucoPRO
ROHS Compliant	



Outline



Dimensional Tolerances

.X	±.030
.XX	±.010
.XXX	±.005

Typical Data

