



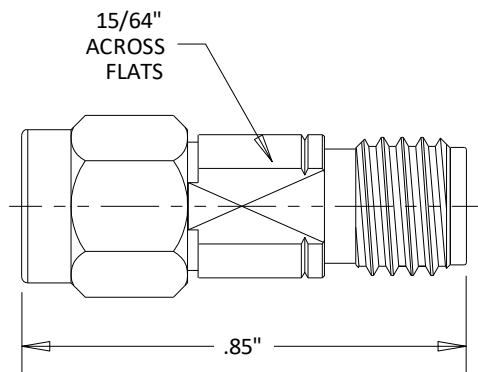
## C7262 2.4/Female to 2.92/Male Adapter 40 GHZ

Rev 000

<b>Electrical</b>	
Frequency	0-43.5 GHZ
VSWR	1.20 Max @ 40 Ghz; 1.25 @ 43.5 Ghz
Impedance	50 Ohms
<b>Mechanical</b>	
2.4 & 2.92 Interface per	MIL-STD-348B
Operating Temperature	-55°C to +125°C
<b>Materials</b>	
Body	Passivated Stainless Steel
Contacts	BeCu
Contact Plating	Au 50μ" Min
ROHS Compliant	



### Outline



Dimensional Tolerances

.X	±.030
.XX	±.010
.XXX	±.005

### Typical Data

