



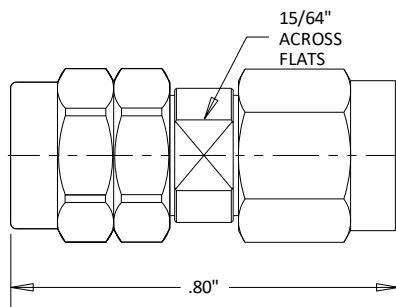
C7618 2.4/Male to SMA/Male Adapter 27 GHZ

Rev 000

Electrical	
Frequency	0-27 GHZ
VSWR	1.15 Max
Impedance	50 Ohms
Mechanical	
2.4 & SMA Interface per	MIL-STD-348B
Operating Temperature	-55°C to +125°C
Materials	
Body	Passivated Stainless Steel
Contacts	BeCu
Contact Plating	Au 50μ" Min
Dielectric	PTFE(SMA); PEI(2.4)
ROHS Compliant	



Outline



Dimensional Tolerances

.X	±.030
.XX	±.010
.XXX	±.005

Typical Data

