



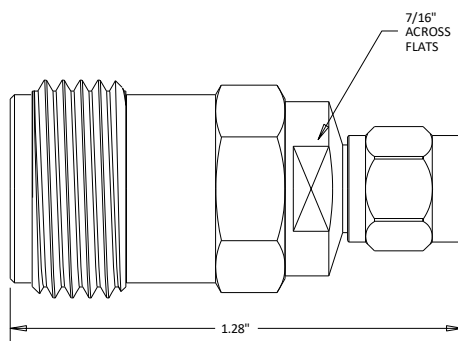
## C8164 1.85/Male to N/Female Adapter 18 GHZ

Rev 001

<b>Electrical</b>	
Frequency	0-18 GHZ
VSWR	1.20 Max
Impedance	50 Ohms
<b>Mechanical</b>	
1.85 Interface per	IEEE P287
N Interface per	MIL-STD-348B
Operating Temperature	-40°C to +120°C
<b>Materials</b>	
Body	Passivated Stainless Steel
Contacts	BeCu
Contact Plating	SucoPRO
Dielectric(N)	PTFE
ROHS Compliant	



### Outline



#### Dimensional Tolerances

.X	±.030
.XX	±.010
.XXX	±.005

### Typical Data

