



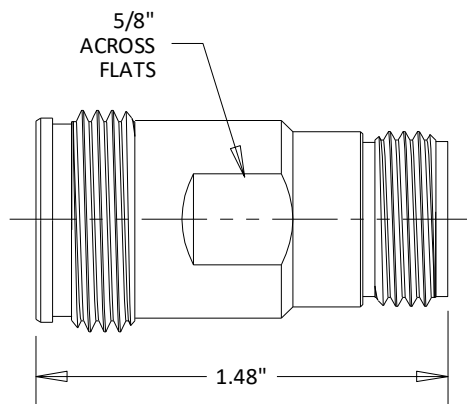
## C8503 4.3/10-Female to N/Female Adapter 6 GHZ

Rev 000

<b>Electrical</b>	
Frequency	0-6 GHZ
VSWR	1.10 Max
Impedance	50 Ohms
PIM(3 <sup>rd</sup> )	-165 dBc Max with 2 CW Tones @ 43 dBm
<b>Mechanical</b>	
4.3/10 Interface Per	IEC 61169-54
N Interface Per	MIL-STD-348B
Operating Temperature	-45°C to +125°C
<b>Materials</b>	
Body	Albaloy plated Brass
Contacts	BeCu
Contact Plating	Silver
Dielectric	PTFE
ROHS Compliant	



### Outline



#### Dimensional Tolerances

.X	±.030
.XX	±.010
.XXX	±.005

### Typical Data

