



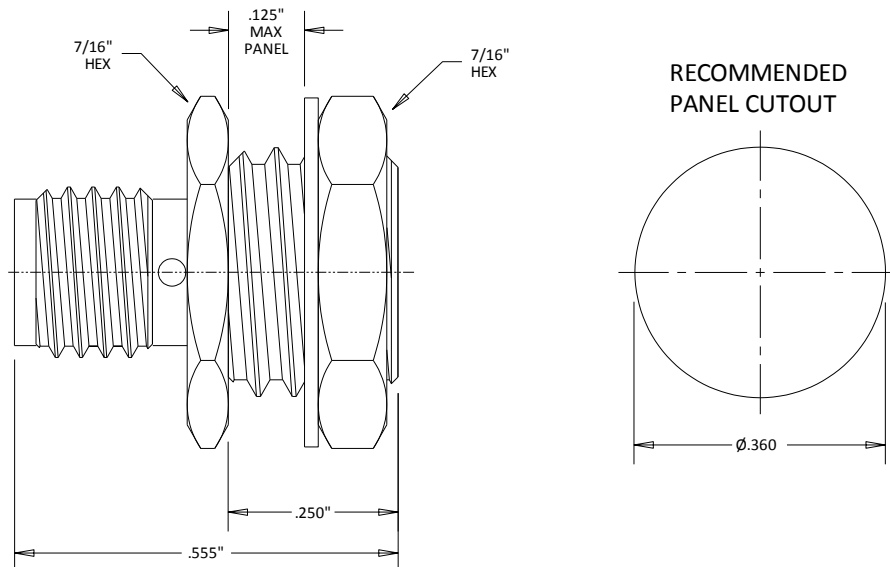
## C9873 BMA/Jack to SMA/Female Bulkhead Adapter 18 Ghz

Rev 000

<b>Electrical</b>	
Frequency	DC-18 Ghz
VSWR	1.15
Impedance	50 Ohms
<b>Mechanical</b>	
SMA Interface per	MIL-STD-348B
<b>Materials</b>	
Body	Passivated Stainless Steel
Contact	BeCu
Contact Plating	Au 50 $\mu$ " Min
Dielectric	PTFE
ROHS Compliant	



### Outline



Dimensional Tolerances

.X	±.030
.XX	±.010
.XXX	±.005