



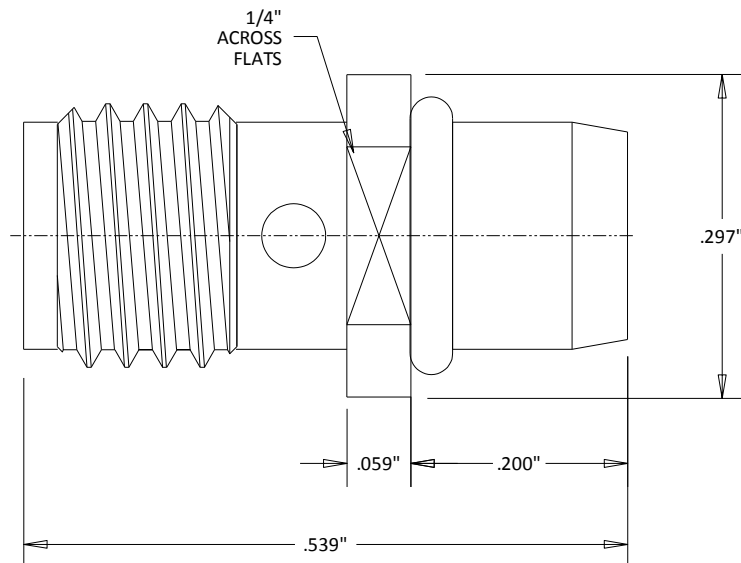
C9880 BMA/Plug to SMA/Female Adapter 18 Ghz

Rev 000

Electrical	
Frequency	DC-18 Ghz
VSWR	1.15
Impedance	50 Ohms
Mechanical	
SMA Interface per	MIL-STD-348B
Materials	
Body	Passivated Stainless Steel
Contact	BeCu
Contact Plating	Au 50 μ " Min
Dielectric	PTFE
ROHS Compliant	



Outline



Dimensional Tolerances

.X	±.030
.XX	±.010
.XXX	±.005