



CQP2P QMA/Plug Plastic Dust Cap For Jack Connectors

Rev 000

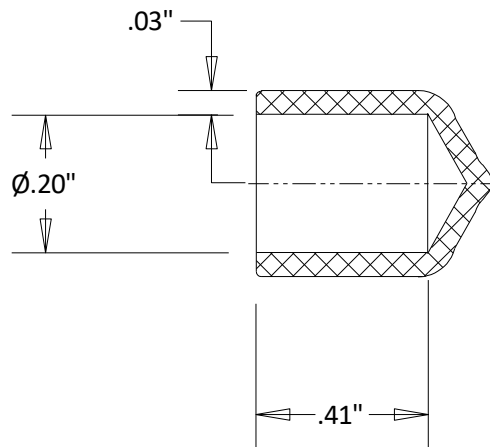
Materials

Body PVC

ROHS Compliant



Outline



Dimensional Tolerances

.X	$\pm.030$
.XX	$\pm.010$
.XXX	$\pm.005$