



## CS1040KB-4 2.92 4-Way Power Divider 10-43.5 GHZ

Rev 002

### Electrical

Frequency	10-43.5 GHZ
VSWR	1.50 Max(10-40 Ghz); 1.60(40-43.5 Ghz)
Impedance	50 Ohms
Insertion Loss	6dB + 1.5 dB(10-40 Ghz); 1.8(40-43.5)
Isolation	16 dB Min(10-40 Ghz); 12 dB(40-43.5)
Amplitude Balance	±0.40 dB Max
Phase Balance	±5°
Power Handling	20 W Max(Forward), 1 W(Reverse)

### Mechanical

2.92 Interface per	MIL-STD-348B
Operating Temperature	-40°C to +85°C

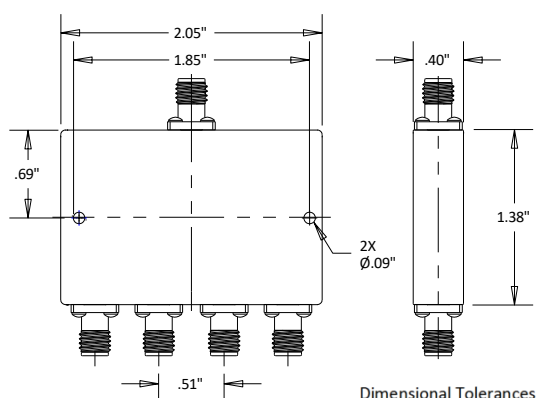
### Materials

Body(Connectors)	Passivated Stainless Steel
Contacts	BeCu
Contact Plating	Au 50μ" Min

ROHS Compliant



### Outline



### Typical Data

