



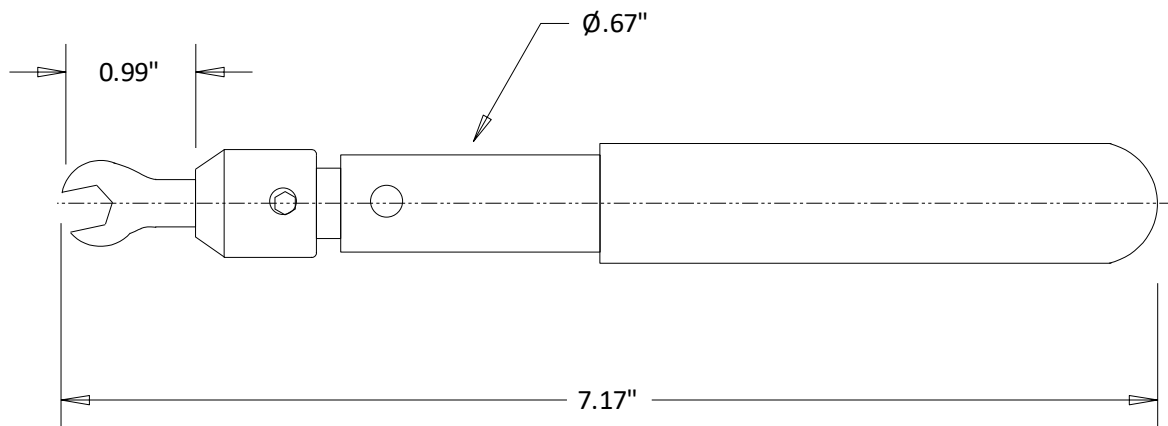
CT-1-4B 1.00mm 4 in-lbs Torque Wrench

Rev 000

Torque Value	4 in-lbs
Hex Size	6mm
Torque Tolerance	±8%
Wrench Type	Preset Click Type



Outline



Dimensional Tolerances

.X	±.030
.XX	±.010
.XXX	±.005