



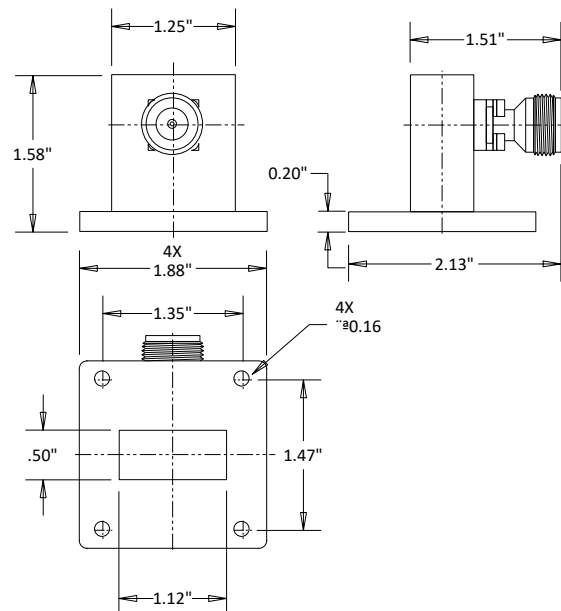
CWR112N N/Female to WR112 Coaxial to Waveguide Adapter 7.05-10 GHz

Rev 000

Electrical	
Frequency	7.05-10 GHz
VSWR	1.25
Impedance	50 Ohms
Mechanical	
N Interface per	MIL-STD-348B
Materials	
Body	Al/Cu
Body(N)	Nickel plated Brass
Contact	BeCu
Contact Plating	Au
Dielectric	PTFE



Outline



Dimensional Tolerances

.X	± 0.030
.XX	± 0.010
.XXX	± 0.005