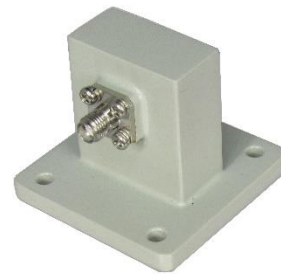




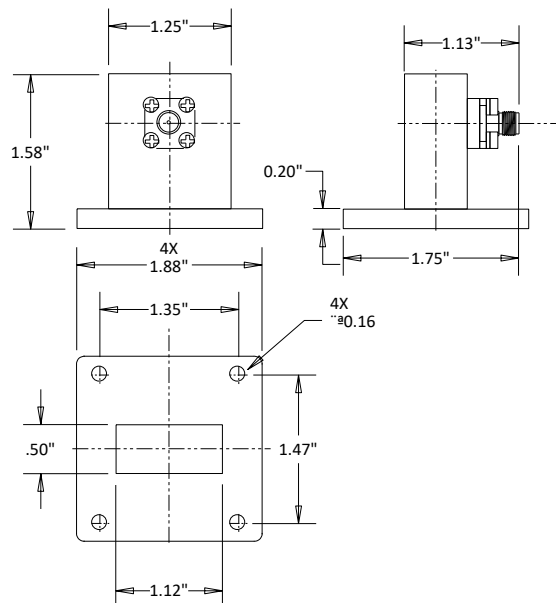
## CWR112S SMA/Female to WR112 Coaxial to Waveguide Adapter 7.05-10 GHZ

Rev 000

<b>Electrical</b>	
Frequency	7.05-10 GHZ
VSWR	1.25
Impedance	50 Ohms
<b>Mechanical</b>	
SMA Interface per	MIL-STD-348B
<b>Materials</b>	
Body	Al/Cu
Body(SMA)	Passivated Stainless Steel
Contact	BeCu
Contact Plating	Au
Dielectric	PTFE



### Outline



Dimensional Tolerances

.X	±.030
.XX	±.010
.XXX	±.005