



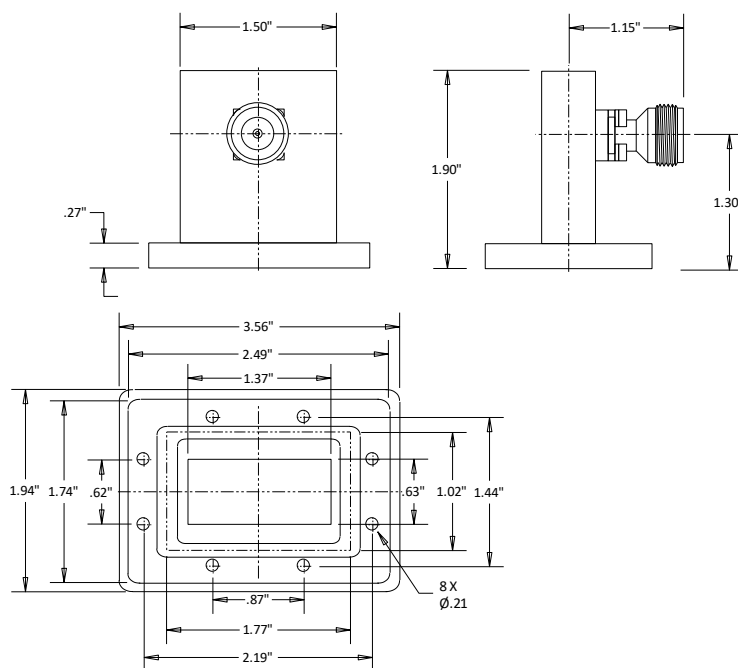
## CWR137NG N/Female to WR137 8 Hole Grooved Flange Coaxial to Waveguide Adapter 5.85-8.2 GHz

Rev 000

<b>Electrical</b>	
Frequency	5.85-8.2 GHz
VSWR	1.25
Impedance	50 Ohms
<b>Mechanical</b>	
N Interface per	MIL-STD-348B
<b>Materials</b>	
Body	Al/Cu
Body(N)	Nickel Plated Brass
Contact	BeCu
Contact Plating	Au
Dielectric	PTFE
ROHS Compliant	



### Outline



#### Dimensional Tolerances

.X	±.030
.XX	±.010
.XXX	±.005