



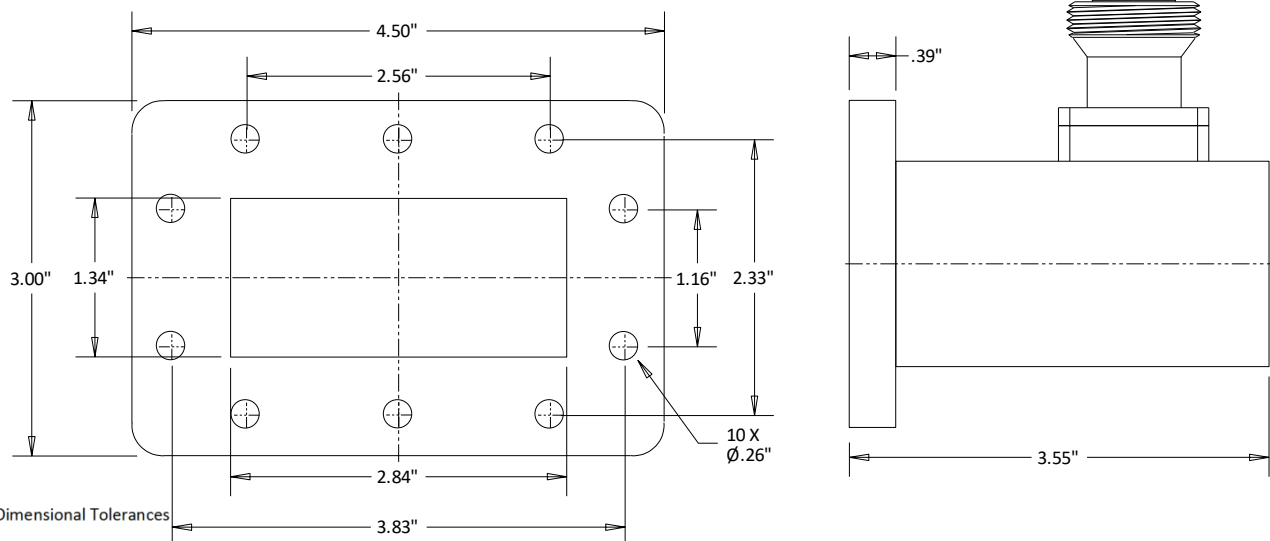
## CWR284D 7/16 Female to WR284 Coaxial to Waveguide Adapter 2.6-3.95 GHz

Rev 001

<b>Electrical</b>	
Frequency	2.6-3.95 GHz
VSWR	1.20
Impedance	50 Ohms
Power Handling	1 kW CW
<b>Mechanical</b>	
7/16 Interface per	IEC 61169-4
<b>Materials</b>	
Body	Al
Body(7/16)	Brass
Contact	BeCu
Contact Plating	Si
Dielectric	PTFE
ROHS Compliant	



### Outline



Dimensional Tolerances

.X	$\pm .030$
.XX	$\pm .010$
.XXX	$\pm .005$