



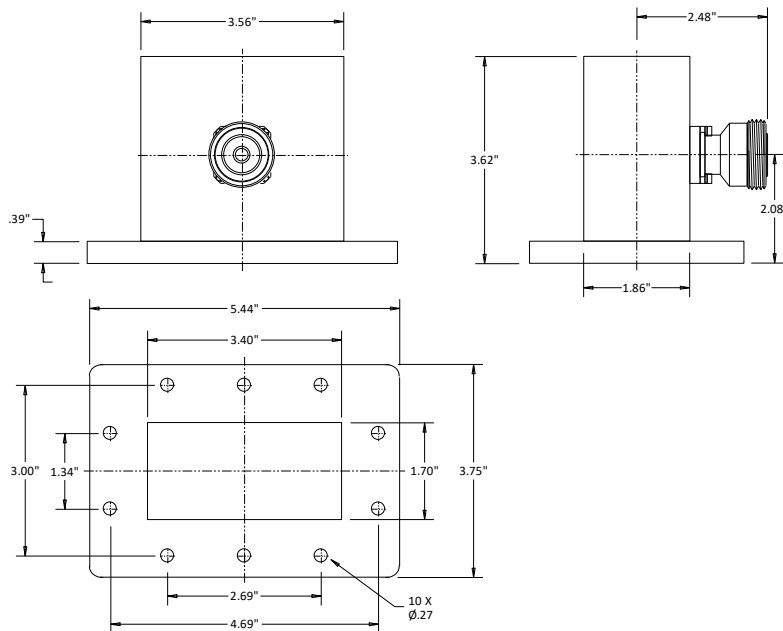
## CWR340D 7/16 Female to WR340 Coaxial to Waveguide Adapter 2.2-3.3 GHz

Rev 000

<b>Electrical</b>	
Frequency	2.2-3.3 GHz
VSWR	1.25
Impedance	50 Ohms
<b>Mechanical</b>	
7/16 Interface per	IEC 61169-4
<b>Materials</b>	
Body	Al/Cu
Body(7/16)	Ternary Plated Brass
Contact	BeCu
Contact Plating	Si
Dielectric	PTFE



### Outline



#### Dimensional Tolerances

.X	±.030
.XX	±.010
.XXX	±.005