



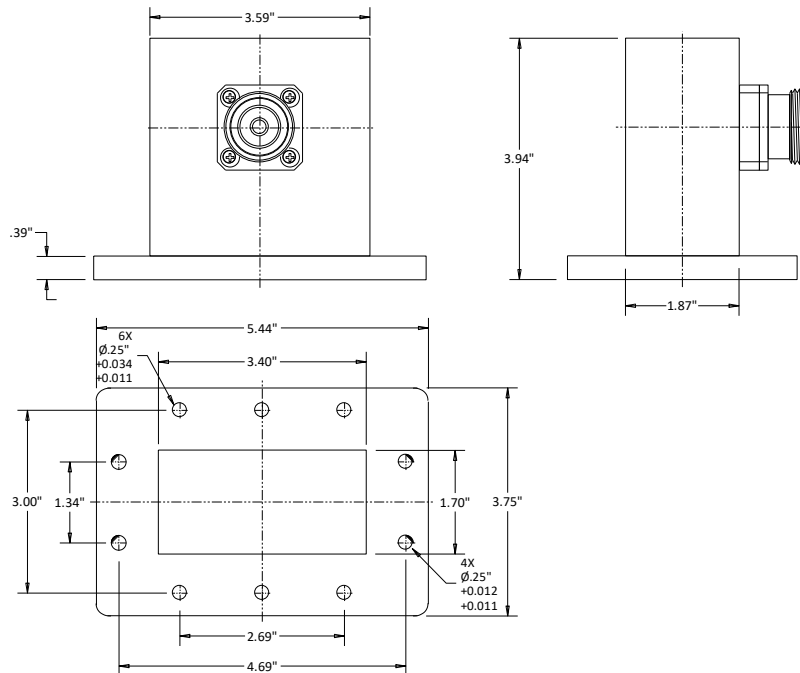
CWR340DB 7/16 Female to WR340 Coaxial to Waveguide Adapter 2.2-3.3 GHz

Rev 000

Electrical	
Frequency	2.2-3.3 GHz
VSWR	1.25
Impedance	50 Ohms
Mechanical	
7/16 Interface per	IEC 61169-4
Materials	
Body	Al
Body(7/16)	Nickel Plated Brass
Contact	BeCu
Contact Plating	Si
Dielectric	PTFE
ROHS Compliant	



Outline



Dimensional Tolerances

.X	±.030
.XX	±.010
.XXX	±.005