



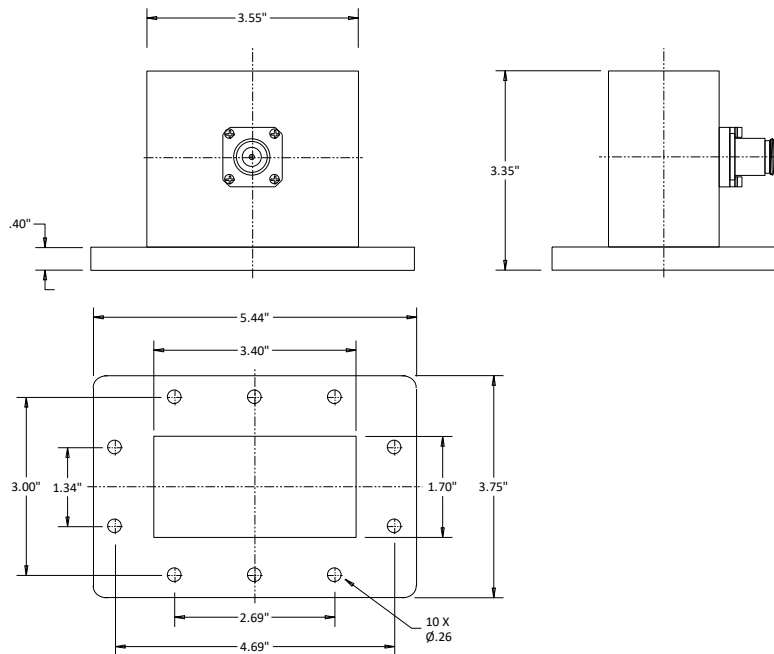
## CWR340NB N/Female to WR340 Coaxial to Waveguide Adapter 2.2-3.3 GHz

Rev 000

<b>Electrical</b>	
Frequency	2.2-3.3 GHz
VSWR	1.25
Impedance	50 Ohms
<b>Mechanical</b>	
N Interface per	MIL-STD-348B
<b>Materials</b>	
Body	Al/Cu
Body(N)	Nickel plated Brass
Contact	BeCu
Contact Plating	Au
Dielectric	PTFE
ROHS Compliant	



### Outline



Dimensional Tolerances

.X	±.030
.XX	±.010
.XXX	±.005