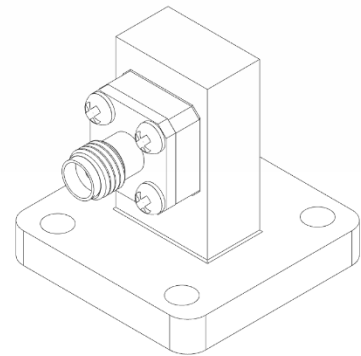




## CWR51SB SMA/Female to WR51 Coaxial to Waveguide Adapter 15-22 GHz

Rev 001

<b>Electrical</b>	
Frequency	15-22 GHz
VSWR	1.20
Impedance	50 Ohms
<b>Mechanical</b>	
SMA Interface per	MIL-STD-348B
<b>Materials</b>	
Body	Cu
Body(SMA)	Passivated Stainless Steel
Contact	BeCu
Contact Plating	Au 50 $\mu$ " Min
Dielectric	PTFE
ROHS Compliant	



Related Links	
Typical Data	Product Page

