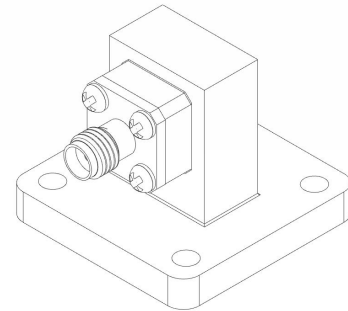




## CWR62SC SMA/Female to WR62 Coaxial to Waveguide Adapter 11.9-18 GHZ

Rev 001

<b>Electrical</b>	
Frequency	11.9-18 GHZ
VSWR	1.25
Impedance	50 Ohms
<b>Mechanical</b>	
SMA Interface per	MIL-STD-348B
<b>Materials</b>	
Body	Cu
Body(SMA)	Passivated Stainless Steel
Contact	BeCu
Contact Plating	Au 50 $\mu$ " Min
Dielectric	PTFE
ROHS Compliant	



Related Links	
Typical Data	Product Page

