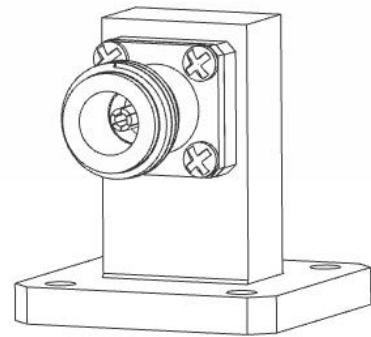




CWR75NB N/Female to WR75 Waveguide to Coax Adapter

Rev 001

Electrical	
Frequency	10-15 GHZ
VSWR	1.20
Impedance	50 Ohms
Mechanical	
N Interface per	MIL-STD-348B
Materials	
Body(N)	Passivated Stainless Steel
Body	Al/Cu
Contacts(N)	Brass
Contact Plating	Au



Related Links	
Typical Data	Product Page

