



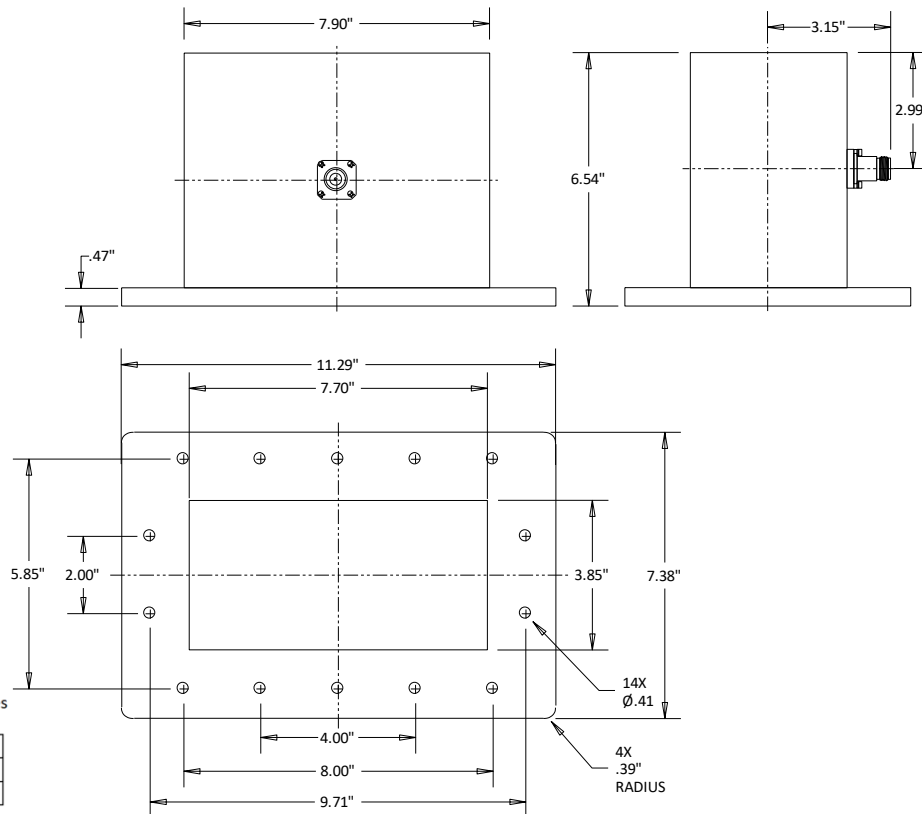
CWR770N N/Female to WR770 Coaxial to Waveguide Adapter 0.96-1.45 GHz

Rev 000

Electrical	
Frequency	0.96-1.45 GHz
VSWR	1.25 Max
Impedance	50 Ohms
Mechanical	
N Interface per	MIL-STD-348B
Materials	
Body	Cu
Body(Type N)	Passivated Stainless Steel
Contact	BeCu
Contact Plating	Au 50μ" Min
ROHS Compliant	



Outline



Dimensional Tolerances

.X	±.030
.XX	±.010
.XXX	±.005