



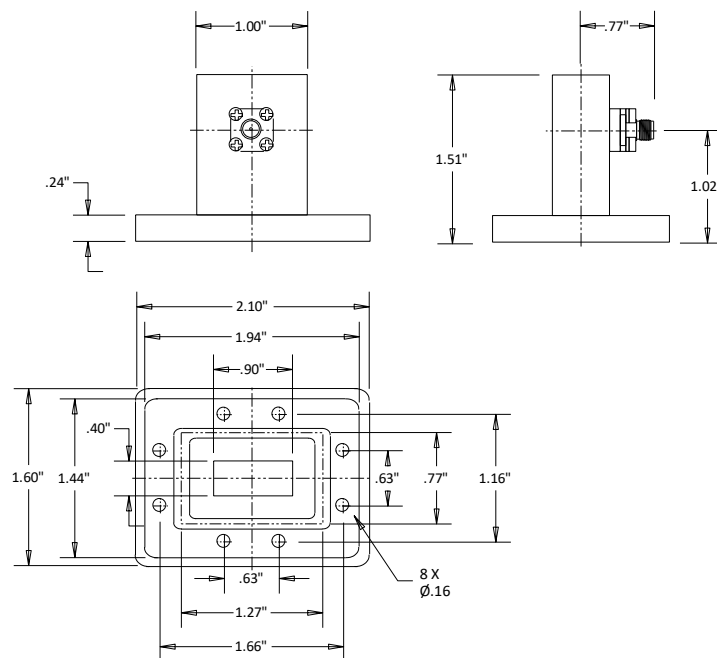
CWR90G SMA/Female to WR90 8 Hole Grooved Flange Coaxial to Waveguide Adapter 8.2-12.4 GHz

Rev 000

Electrical	
Frequency	8.2-12.4 GHz
VSWR	1.25
Impedance	50 Ohms
Mechanical	
SMA Interface per	MIL-STD-348B
Materials	
Body	Al/Cu
Body(SMA)	Nickel Plated Brass
Contact	BeCu
Contact Plating	Au
Dielectric	PTFE
ROHS Compliant	



Outline



Dimensional Tolerances

.X	±.030
.XX	±.010
.XXX	±.005