



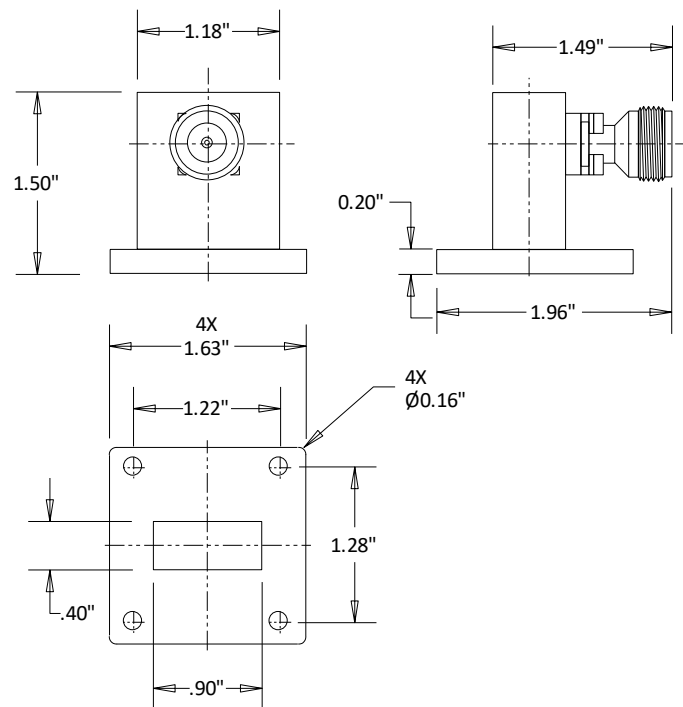
CWR90NB N/Female to WR90 Coaxial to Waveguide Adapter 8.2-12.4 GHz

Rev 002

Electrical	
Frequency	8.2-12.4 GHz
VSWR	1.25
Impedance	50 Ohms
Mechanical	
N Interface per	MIL-STD-348B
Materials	
Body	Al/Cu
Body(N)	Nickel plated Brass
Contact	BeCu
Contact Plating	Au
Dielectric	PTFE



Outline



Dimensional Tolerances

.X	±.030
.XX	±.010
.XXX	±.005