



## CWR90SE SMA/Female to WR90 Coaxial to Waveguide End Launch Adapter

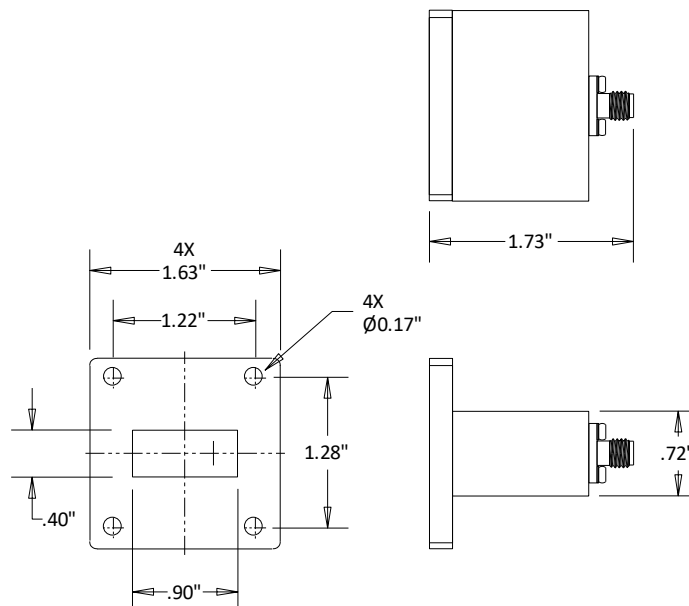
8.2-12.4 GHZ

Rev 001

<b>Electrical</b>	
Frequency	8.2-12.4 GHZ
VSWR	1.20
Impedance	50 Ohms
<b>Mechanical</b>	
SMA Interface per	MIL-STD-348B
<b>Materials</b>	
Body	Al
Body(SMA)	Passivated Stainless Steel
Contact	BeCu
Contact Plating	Au 50 $\mu$ " Min
Dielectric	PTFE



### Outline



Dimensional Tolerances

.X	±.030
.XX	±.010
.XXX	±.005