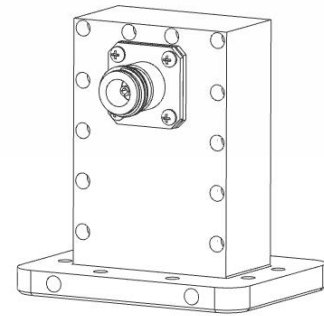




## CWRD250NC N/Female to WRD250 Coaxial to Waveguide Adapter 2.6-8 GHZ

Rev 001

<b>Electrical</b>	
Frequency	2.6-8 GHZ
VSWR	1.30 Max
Impedance	50 Ohms
<b>Mechanical</b>	
N Interface per	MIL-STD-348B
<b>Materials</b>	
Body	Al
Body(N)	Passivated Stainless Steel
Contact	BeCu
Contact Plating	Au 50 $\mu$ " Min



Related Links	
Typical Data	Product Page

