



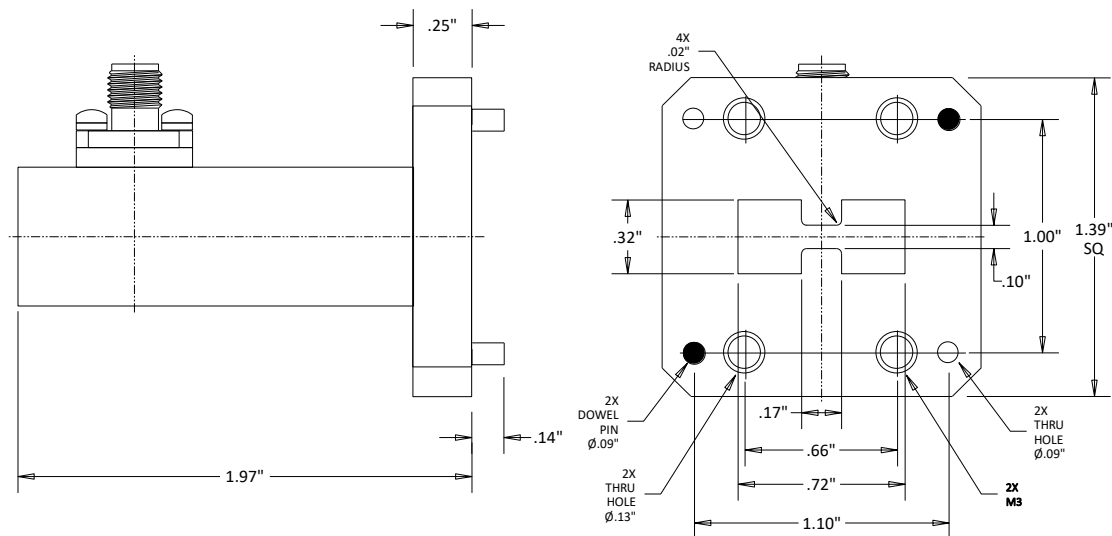
CWRD650S SMA/Female to WRD650 Coaxial to Waveguide Adapter 6-18 GHZ

Rev 002

Electrical	
Frequency	6-18 GHZ
VSWR	1.25 Max
Impedance	50 Ohms
Mechanical	
SMA Interface per	MIL-STD-348B
Materials	
Body	Al
Finish	Grey Painted, Electric Conductive Oxidation
Body(SMA)	Passivated Stainless Steel
Contact	BeCu
Contact Plating	Au 50 μ " Min
ROHS Compliant	



Outline



Dimensional Tolerances

.X	±.030
.XX	±.010
.XXX	±.005