



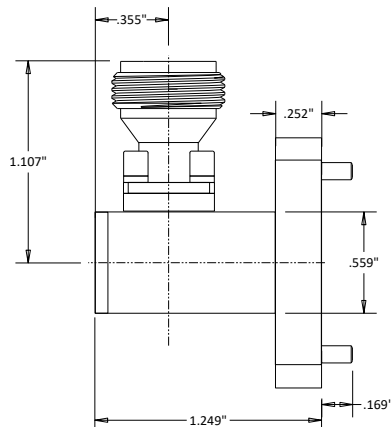
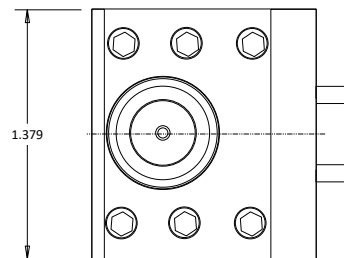
## CWRD750N N/Female to WRD750 Coaxial to Waveguide Adapter 7.5-18 GHz

Rev 000

<b>Electrical</b>	
Frequency	7.5-18 GHz
VSWR	1.30 Max
Impedance	50 Ohms
Average Power	150 Watts
<b>Mechanical</b>	
N Interface per	MIL-STD-348B
<b>Materials</b>	
Body	Cu
Body(Type N)	Passivated Stainless Steel
Contact	BeCu
Contact Plating	Au per MIL-G-45204
ROHS Compliant	



### Outline



Dimensional Tolerances

.X	±.030
.XX	±.010
.XXX	±.005

