



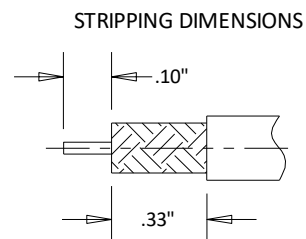
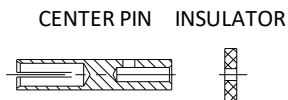
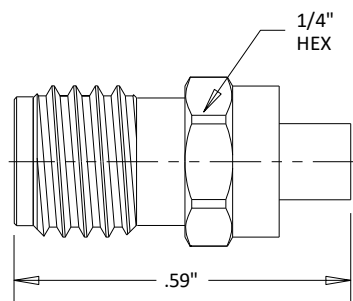
CX0867 SMA/Female Solder Connector for RG405

Rev 000

Electrical	
Impedance	50 Ohms
Environmental	
Operating Temperature	-45°C to +85°C
Materials	
Body	Passivated Stainless Steel
Contact	BeCu
Contact Plating	Au 30μ" Min
Dielectric	PTFE
ROHS Compliant	



Outline



Dimensional Tolerances

.X	±.030
.XX	±.010
.XXX	±.005