



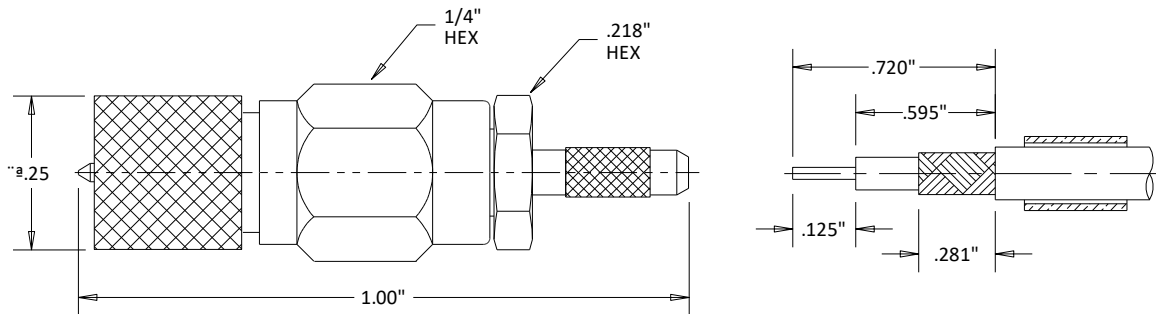
CX1032 10-32 Microdot Male Solder/Crimp Connector for RG316

Rev 000

Electrical	
Frequency	0-2 GHZ
Impedance	50 Ohms
Materials	
Body	Nickel Plated Brass
Contact	Brass
Contact Plating	Au
Dielectric	PTFE



Outline



Dimensional Tolerances

.X	±.030
.XX	±.010
.XXX	±.005