



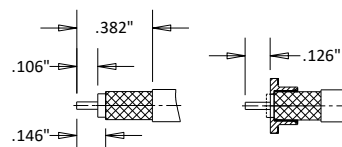
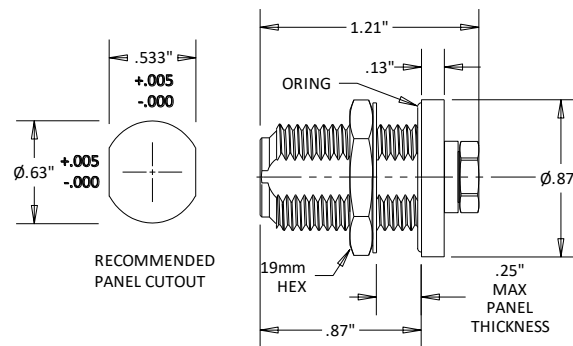
CX1418 N/Female Bulkhead Solder/Clamp Low PIM Connector for RG402(.141)
18 GHZ

Rev 000

Electrical	
Frequency	0-18 GHZ
Impedance	50 Ohms
PIM	< -160 dBc
Mechanical	
N Interface per	MIL-STD-348B
Operating Temp Range	-40°C to +125°C
Materials	
Body	Trimetal Plated Brass
Contacts	Phosphor Copper
Contact Plating	Silver
ROHS Compliant	



Outline



RECOMMENDED STRIPPING DIMENSIONS

Dimensional Tolerances

.X	±.030
.XX	±.010
.XXX	±.005