



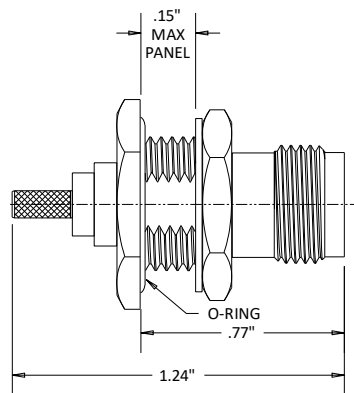
## CX3175 TNC/Female Bulkhead Solder/Crimp Connector for RG316

Rev 000

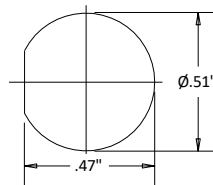
<b>Electrical</b>	
Impedance	50 Ohms
<b>Materials</b>	
Body	Nickel Plated Brass
Contact	BeCu
Contact Plating	Au 30μ" Min
Dielectric	PTFE
ROHS Compliant	



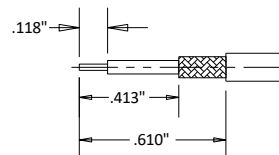
### Outline



RECOMMENDED  
PANEL CUTOUT



STRIPPING DIMENSIONS



Dimensional Tolerances

.X	±.030
.XX	±.010
.XXX	±.005