



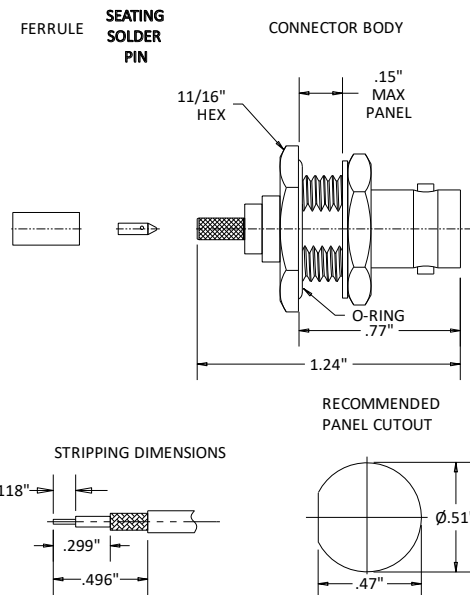
CX3177 BNC/Female Bulkhead Solder/Crimp Connector for RG316

Rev 000

Electrical	
Impedance	50 Ohms
Materials	
Body	Nickel Plated Brass
Contact	BeCu
Contact Plating	Au 30 μ " Min
Dielectric	PTFE
ROHS Compliant	



Outline



Dimensional Tolerances

.X	±.030
.XX	±.010
.XXX	±.005